



CITY OF CONCORD

Code Administration

37 Green Street • Concord, New Hampshire 03301 • 225.8580 • Fax 225.8586

WMA

APPLICATION TO ERECT A SIGN

Permit # SP061-21

1) Address where sign is to be erected: 24 FORT EDDY ROAD (SHAW'S)

2) Message as shown on sign:
DRIVE UP & GO (WITH LOGO)

	Property Owner Information	Sign Installer Information	Sign Owner Information
Name >	EDDY PLAZA ASSOC LLC % SOUTH MIAMI PROPERTIES INC	BAILEY SIGN INC	SHAW'S
Address >	PO BOX 41468	9 THOMAS DRIVE	750 WEST CENTER ST
City/State/ Zip >	PROVIDENCE RI 02940-1468	WESTBROOK ME 04092	WEST BRIDGEWATER MA 02379
Phone(s) >		207 774 2843	508 313 4607
E-mail >		BRUCEB@BAILEYSIGN.COM	

RECEIVED

4) Property Information: GWP Zone | 301 Store/Building Frontage ft | _____ Lot Frontage ft

MAY 24 2021

5) Type of Sign:
 New Relocation Replacement
 Freestanding Monument
 Wall Projecting Window Awning Roof Marquee Marker

5) Materials to be used: SEE ATTACHED GRAPHICS

6) How & to what is sign supported: SEE ATTACHED GRAPHICS

7) Dimensions of sign: 9.42 ft x 4.0 ft equals 38 sf
Length Height Total (Round up)

8) Height Overall: Ground to bottom of sign 13 ft Ground to top of sign 17 ft

9) Illumination: None External Internal Internally illuminated signs are **NOT** permitted in CVP, IS, UT or any Residential Zones

10) Does sign project over public property or sidewalk? No Yes* > * _____ ft in

11) How far back is leading edge of sign from any curb face? _____

NOTE: Any applicant for a permit to locate a projecting sign over a public right-of-way, in accordance with this Ordinance, shall file with the Code Administrator, a certificate of insurance indemnifying the City of Concord against any form of liability in a minimum amount as specified by the Finance Director. No permit shall be issued prior to the receipt of said certificate and the permit shall be valid only so long as the certificate remains in effect. The policy shall provide for advance notification to the Code Administrator in the event of cancellation. If the policy should lapse or be cancelled, the applicant shall remove the sign immediately. (Article 28-6-11.a)

12) Does the sign require Design Review? *Yes No Historic District Review? Yes No

*Design review is **required** per Article 28-6-9.f, if any of the following apply:

- I. The sign is to be located in a Performance (P) District
- II. The Development requires Major Site Plan Review, Article 28-9-4.d.1
- III. The sign area is greater than the maximum in Column 1 of Table 28-6-9.a
- IV. The sign is the second or third freestanding sign on a lot.

Continued on back →

FILE: "DUG STOREFRONT SIGN HORIZONTAL"



RECEIVED

MAY 24 2021

PROPOSED INSTALLATION FOR 4" LED LOGO & LETTERS DRIVEUP & GO

SEE DRAWING 08479 A R3 FOR SPECS

CODE ADMINISTRATION

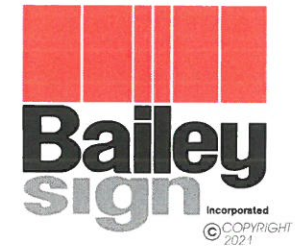
PROPOSED WALL SIGN
PHOTO PLOT N.T.S.

Google Maps Concord, New Hampshire



Sign Area
Subject Sign = 38 sq. FT.
"Shaw's" = 105 sq. FT.
"Citizen's Bank" = 32 sq. FT.
total = 175 sq. FT.

CODE ALLOWS = 200 sq. FT



www.baileysign.com
9 Thomas Drive
Col. Westbrook Executive Park
Westbrook, ME 04092
207-774-2843 / 1-800-539-SIGN
Fax: 774-1193
E-Mail: sales@baileysign.com

PLEASE NOTE:
THIS IS A PROGRESS PRINT - FIELD MEASUREMENTS MAY OR MAY NOT NEED TO BE VERIFIED.

THIS DESIGN IS THE EXCLUSIVE PROPERTY OF BAILEY SIGN INCORPORATED AND ALL RIGHTS TO ITS USE OR REPRODUCTION ARE RESERVED.

THE ACCURACY OF THIS COLOR RENDERING IS LIMITED BY MEDIA AND OUTPUT DEVICES AND IS INTENDED FOR REPRESENTATIONAL USE ONLY. ACTUAL MANUFACTURING GRAPHIC COLORS ALSO VARY DEPENDING ON PROCESSES & MATERIALS USED. 100% COLOR MATCHES OF SUBMITTED SPECIFICATIONS CAN NOT BE GUARANTEED.

IF AN ELECTRIC SIGN, THEN INSTALLATION MUST BE ACCOMPLISHED IN TOTAL COMPLIANCE WITH ARTICLE 600 OF THE NATIONAL ELECTRIC CODE, THE REQUIREMENTS OF UNDERWRITERS LABORATORY, CANADIAN STANDARDS ASSOCIATION AND/OR ANY APPLICABLE LOCAL CODES. THIS INCLUDES PROPER GROUNDING AND BONDING OF THE SIGN.

ALL ELECTRICAL SIGNS REQUIRE ROUTINE MAINTENANCE.

VOLTAGE

APPROVAL

CLIENT

APPROVED DATE

BAILEY SIGN REPRESENTATIVE

APPROVED DATE

	DESIGNATED COPY FOR:
	ESTIMATING/OUTSOURCING
	GRAPHICS
	FABRICATION
	ROUTER
	PAINT
	INSTALLATION

CUSTOMER / SIGN LOCATION

SHAW'S - ALBERTSONS
DRIVE UP & GO
24 FORT EDDY ROAD
CONCORD, NH

SALESPERSON: BB DRAWN BY: LWM

WORK ORDER # 9999 CUSTOMER # CRM #

SCALE DATE 1/6/21

REVISION # / DATE / NOTES / INITIALS
R1 1/15/21 OMIT LABEL REMOTE + LETTER "D" HT.
R2 1/25/21 REVISE SPEC OF CIRCLE B/G MATERIAL
R3 2/4/21 OMIT INSTALL EXAMPLE

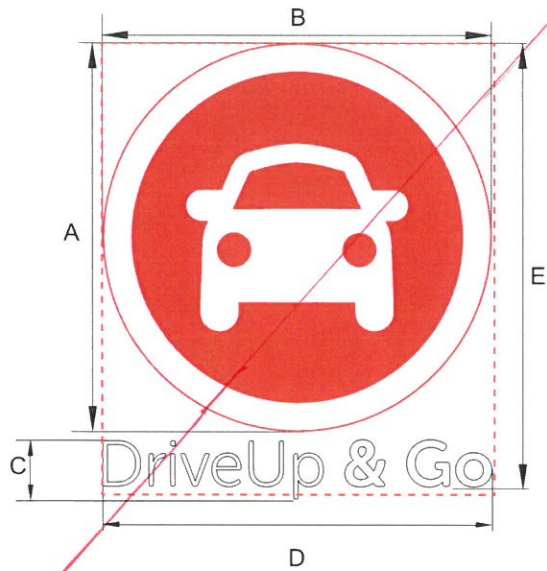
DRAWING #
08579 A R3
FORT EDDY CONCORD, NH
SHEET OF

Image capture: Oct 2017 © 2021 Google

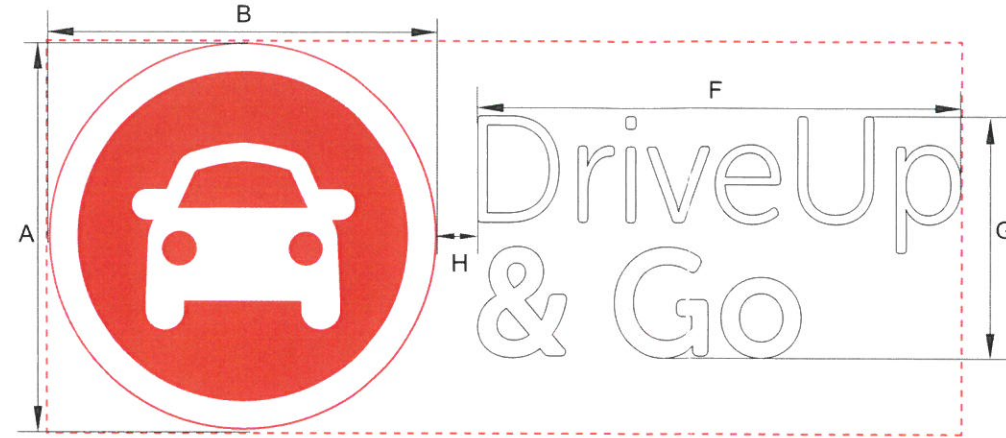
REF. DR.

DriveUp & Go Main ID Channel LED Logo & Cut Out Letters

FILE: "DUG STOREFRONT SIGN VERT"



FILE: "DUG STOREFRONT SIGN HORIZONTAL"



WALL SIGN SPECS

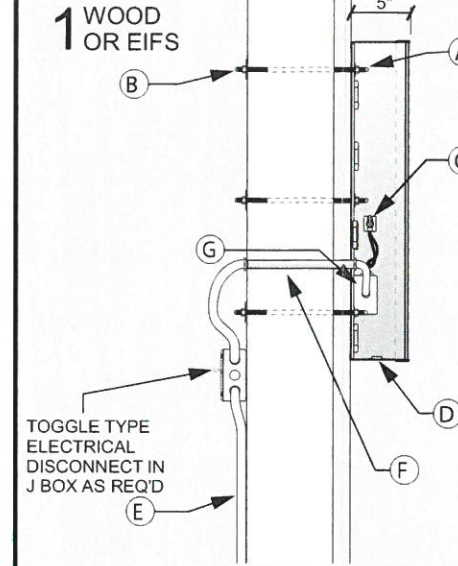
Non-Illum'd Aluminum Letters/LED Illum'd Logo - Stacked Standard						LETTER "D" HT.
A	B	C	D	E	BOXED AREA	
36"	36"	5.51"	36"	42.21"	10.55SF	4.26"
48"	48"	7.3479"	48"	56.28"	18.76SF	5.68"
60"	60"	9.18"	60"	70.35"	29.31SF	7.1"

MAINTAIN LETTER HEIGHT TO WIDTH RATIOS

Non-Illum'd Aluminum Letters/LED Illum'd Logo - Horizontal Standard						LETTER "D" HT.
A	B	F	G	H	BOXED AREA	
36"	36"	45"	22.5"	3.75"	21.185SF	10"
48"	48"	60"	30"	5"	37.66SF	13.32"
60"	60"	75"	37.5"	6.25"	58.85SF	16.65"

MAINTAIN LETTER HEIGHT TO WIDTH RATIOS

SELF CONTAINED LOGO ATTACHMENT SECTION DETAIL - TYPICAL NTS



- A. 1/4" Rivet Nut Inserts in Back of Letter - Non-Corrosive Securement Using Appropriate Mounting Hardware
- B. Blocking as Required per Location
- C. Disconnect Switch at Transformer Can
- D. 1/4" Drain Holes as Required
- E. 20 amp 120 V. Circuits Required
- F. Mfg. Plastic Pass-Thru with end connectors
- G. LED Power Supply

NOTE: CONNECTION DETAIL MUST BE CONFIRMED BY SIGN COMPANY



www.baileysign.com
 9 Thomas Drive
 Col. Westbrook Executive Park
 Westbrook, ME 04092
 207-774-2843 / 1-800-539-SIGN
 Fax: 774-1193
 E-Mail: sales@baileysign.com

PLEASE NOTE:
 THIS IS A PROGRESS PRINT - FIELD MEASUREMENTS MAY OR MAY NOT NEED TO BE VERIFIED.
 THIS DESIGN IS THE EXCLUSIVE PROPERTY OF BAILEY SIGN INCORPORATED AND ALL RIGHTS TO ITS USE OR REPRODUCTION ARE RESERVED.

THE ACCURACY OF THIS COLOR RENDERING IS LIMITED BY MEDIA AND OUTPUT DEVICES AND IS INTENDED FOR REPRESENTATIONAL USE ONLY. ACTUAL MANUFACTURING/GRAPHIC COLORS ALSO VARY DEPENDING ON PROCESSES & MATERIALS USED. 100% COLOR MATCHES OF SUBMITTED SPECIFICATIONS CAN NOT BE GUARANTEED.

IF AN ELECTRIC SIGN, THEN INSTALLATION MUST BE ACCOMPLISHED IN TOTAL COMPLIANCE WITH ARTICLE 600 OF THE NATIONAL ELECTRIC CODE, THE REQUIREMENTS OF UNDERWRITERS LABORATORY, CANADIAN STANDARDS ASSOCIATION AND/OR ANY APPLICABLE LOCAL CODES. THIS INCLUDES PROPER GROUNDING AND BONDING OF THE SIGN.

ALL ELECTRICAL SIGNS REQUIRE ROUTINE MAINTENANCE.

VOLTAGE

APPROVAL

CLIENT

APPROVED _____ DATE _____

BAILEY SIGN REPRESENTATIVE

APPROVED _____ DATE _____

DESIGNATED COPY FOR:
ESTIMATING/OUTSOURCING
GRAPHICS
FABRICATION
ROUTER
PAINT
INSTALLATION

CUSTOMER / SIGN LOCATION
 SHAW'S - ALBERTSONS

TYPICAL DRIVE UP & GO
 DIRECTIONAL GRAPHICS

SALESPERSON: BB DRAWN BY: LWM

WORK ORDER # 9999 CUSTOMER # CRM #

SCALE DATE 1/6/21

REVISION # / DATE / NOTES / INITIALS
 R1 1/15/21 OMIT LABEL REMOTE + LETTER "D" HT.
 R2 1/25/21 REVISE SPEC OF CIRCLE B/G MATERIAL
 R3 2/4/21 OMIT INSTALL EXAMPLE

DRAWING #

08579 A R3

SHEET _____ OF _____

RECEIVED

MAY 24 2021

CODE ADMINISTRATION

FABRICATION SPECIFICATIONS

DISC FACE: MATERIAL: .WHITE PLEXIGLAS #2447 VINYL: 3M "CARDINAL RED" #3630-53 LETTER FACES: MATERIAL: .188" ROUTED ALUMINUM WITH STAND-OFFS FOR MOUNTING	RETURNS: MATERIAL: .040 PRE-PAINTED ALUM. SIZE: 5" DEEP COLOR: WHITE	ILLUMINATION MATERIAL: SLOAN PRISM COLOR: WHITE 7100K
TRIM CAP: 36", 48" MATERIAL: 1" COLOR: RED ON DISC RETAINERS: 60" MATERIAL: 1" ALUM. (AT FACE) COLOR: RED (ON DISC)	BACKS: MATERIAL: 3M ACM Panel or Equivalent COLOR: WHITE	ELECTRICAL: POWER SUPPLY: SELF CONTAINED LETTERS TOTAL amps: 20amp/120v

NOTES:

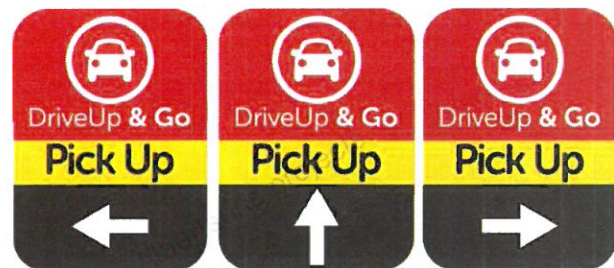
* Non-Illuminated "Drive Up & Go" text to be painted White if on a dark surface, Black if on a light surface

REF. DR. _____

PERMIT DRAWING



INSTALL EXAMPLE



PRINT FILE: "DUG DIRECTIONAL SIGNS 2020.PDF"

NON-ILLUMINATED FREE STANDING POST SIGN			
A	B	C	BOXED AREA
24"	18"	84"	3SF

FABRICATION SPECIFICATIONS:		
FACE: MATERIAL: .080 ALUMINUM PAINTED WHITE PRINT: DIRECT TO ALUMINUM	POST: MATERIAL: GALV. STEEL POST	HARDWARE: MATERIAL: SUPPLIED BY MCCUE

NOTES:

*Division Construction Manager to order from Division Purchasing Agent

Lawson #: 61167 (straight), 61168 (right), 61169 (left)
Leadtime: 3 Weeks

RECEIVED

MAY 24 2021

CODE ADMINISTRATION

Brand Colors & Vinyls

Painted Finishes

● TO MATCH PANTONE 186C

Print Colors

- PANTONE 186C
- PANTONE 109C
- WHITE
- BLACK

DriveUp & Go

PROPOSED
DIRECTIONAL SIGNS

RECEIVED

MAY 24 2021

DriveUp & Go Signage Specifications



www.baileysign.com
9 Thomas Drive
Col. Westbrook Executive Park
Westbrook, ME 04092
207-774-2843 / 1-800-539-SIGN
Fax: 774-1193
E-Mail: sales@baileysign.com

PLEASE NOTE:
THIS IS A PROGRESS PRINT - FIELD MEASUREMENTS MAY OR MAY NOT NEED TO BE VERIFIED.
THIS DESIGN IS THE EXCLUSIVE PROPERTY OF BAILEY SIGN INCORPORATED AND ALL RIGHTS TO ITS USE OR REPRODUCTION ARE RESERVED.

THE ACCURACY OF THIS COLOR RENDERING IS LIMITED BY MEDIA AND OUTPUT DEVICES AND IS INTENDED FOR REPRESENTATIONAL USE ONLY. ACTUAL MANUFACTURING GRAPHIC COLORS ALSO VARY DEPENDING ON PROCESSES & MATERIALS USED. 100% COLOR MATCHES OF SUBMITTED SPECIFICATIONS CAN NOT BE GUARANTEED.

IF AN ELECTRIC SIGN, THEN INSTALLATION MUST BE ACCOMPLISHED IN TOTAL COMPLIANCE WITH ARTICLE 600 OF THE NATIONAL ELECTRIC CODE. THE REQUIREMENTS OF UNDERWRITERS LABORATORY, CANADIAN STANDARDS ASSOCIATION AND/OR ANY APPLICABLE LOCAL CODES. THIS INCLUDES PROPER GROUNDING AND BONDING OF THE SIGN.

ALL ELECTRICAL SIGNS REQUIRE ROUTINE MAINTENANCE.

VOLTAGE

APPROVAL CLIENT

APPROVED DATE
BAILEY SIGN REPRESENTATIVE

APPROVED DATE

DESIGNATED COPY FOR:
ESTIMATING/OUTSOURCING
GRAPHICS
FABRICATION
ROUTER
PAINT
INSTALLATION

CUSTOMER / SIGN LOCATION
SHAW'S - ALBERTSONS
FORT EDDY
CONCORD, NH

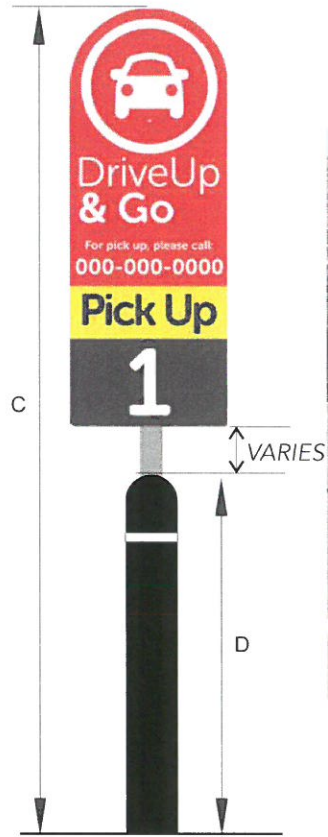
SALESPERSON: BB DRAWN BY: LWM
WORK ORDER # 9999 CUSTOMER # CRM #

SCALE DATE 1/6/21

REVISION # / DATE / NOTES / INITIALS
R1 2/11/21 ADD SIZE OPTION

DRAWING #
08579 B R1 PERMIT
FORT EDDY CONCORD, NH

PERMIT DRAWING



INSTALL EXAMPLE



PRINT FILE: "DUG PARKING SPOT SIGNS 2020.PDF"

Brand Colors & Vinyls

Painted Finishes

Red circle TO MATCH PANTONE 186C

Print Colors

- Red circle PANTONE 186C
- Yellow circle PANTONE 109C
- White circle WHITE
- Black circle BLACK

NON-ILLUMINATED FREE STANDING PARKING POST SIGN				
A	B	C	D	BOXED AREA
48"	18"	96"	48"	6SF
38.4"	15"	96"	48"	4SF

FABRICATION SPECIFICATIONS:

FACE: MATERIAL: .080 ALUMINUM PAINTED WHITE PRINT: DIRECT TO ALUMINUM	POST: MATERIAL: MCCCUE BUMPER SIGN BS-V2-COLOR 401 BLACK	HARDWARE: MATERIAL: SUPPLIED BY MCCUE
--	--	---

DriveUp & Go

PARKING SPACE SIGNS

REF. DR. _____

