

Delivering Reliability

Precast Concrete Pole Bases

Power & Energy-Electrical



Multiple Options - Various Applications

FEATURES & BENEFITS

The Precast Light Pole Base by Oldcastle Precast allows contractors to easily place light poles. Instead of having to worry about pouring the bases in place and dealing with weather, concrete strength, correct alignment, Oldcastle Precast light pole base are produced in a controlled environment helping us maintain a consistent mix quality and high product standard.

The precast light pole bases facilitate a rapid speed of installation. They provide low initial and life cycle costs and are designed for maintainability and longevity.

Benefits

- Easy, Fast Installation
- Conduit Ready
- No Dry/Cure Time Required
- Consistent Product Quality
- Same Day Base & Pole Installation
- No On-Site Forming Required



Applications

- Light Poles
- Menu Boards
- Sign Poles
- Solar Panel Footers
- Flag Poles
- Traffic Signals/Utility Poles



ANCHOR BOLTS

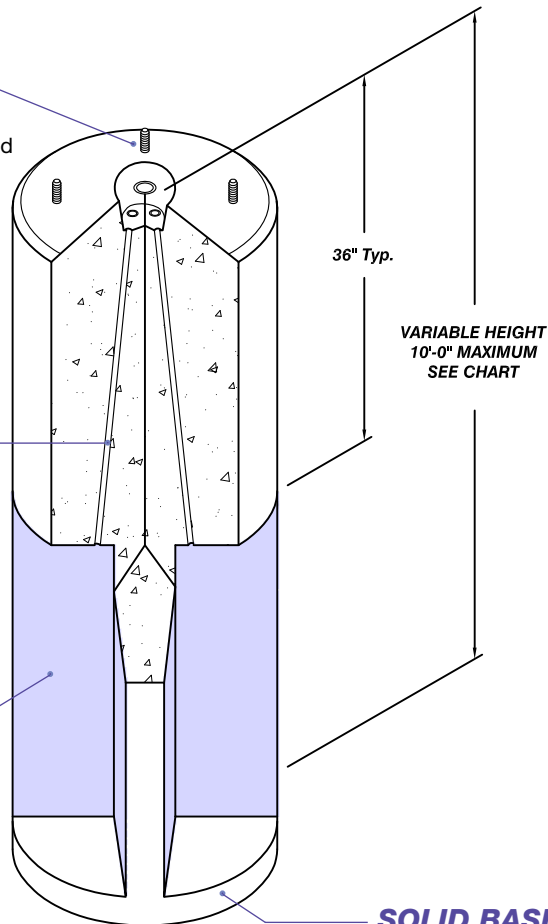
- Supplied by Customer
- Size & spacing as Required
- Bolt Circle Diameter as Required

CONDUIT RACEWAY

- 1-1/2" raceway for wiring light pole.
- Up to 4 per base.
- Oldcastle Precast supplies conduit for raceway

CONDUIT RECESS

- Allows incoming conduit to turn and fasten to conduit raceway
- Up to 4 per base.



SOLID BASE

- Added for heights above 6' in 6" increments up to 4'-0"



18"Ø Pole Base

HEIGHT	WEIGHT
4'-0"	988 LBS
5'-0"	1,178 LBS
6'-0"	1,444 LBS
7'-0"	1,672 LBS
8'-0"	2,014 LBS

24"Ø Pole Base

HEIGHT	WEIGHT
4'-0"	1,604 LBS
5'-0"	1,835 LBS
6'-0"	2,066 LBS
6'-5"	2,294 LBS
7'-0"	2,523 LBS
8'-0"	2,981 LBS
9'-0"	3,439 LBS
10'-0"	3,897 LBS

36"Ø Pole Base

HEIGHT	WEIGHT
7'-0"	5,674 LBS
8'-0"	6,705 LBS
9'-0"	7,735 LBS

Pole Bases

oldcastleprecast.com/nampa

Delivering Reliability



Oldcastle Precast

Oldcastle Precast is the leading manufacturer of precast concrete, polymer concrete, and plastic products in the United States. With a nationwide network of facilities, our products are always close at hand. Our employees are committed to upholding core values of reliability, quality, and service in revolutionary ways. Our attention to detail exceeds the expectations of customers from some of the largest companies in the U.S., across a spectrum of industries.

Oldcastle Precast Nampa, ID Division

16419 Ten Lane
Nampa, IDO 83687

Phone: (208) 465-0176
Fax: (208) 465-7129
oldcastleprecast.com/nampa