



REVISIONS

--	--

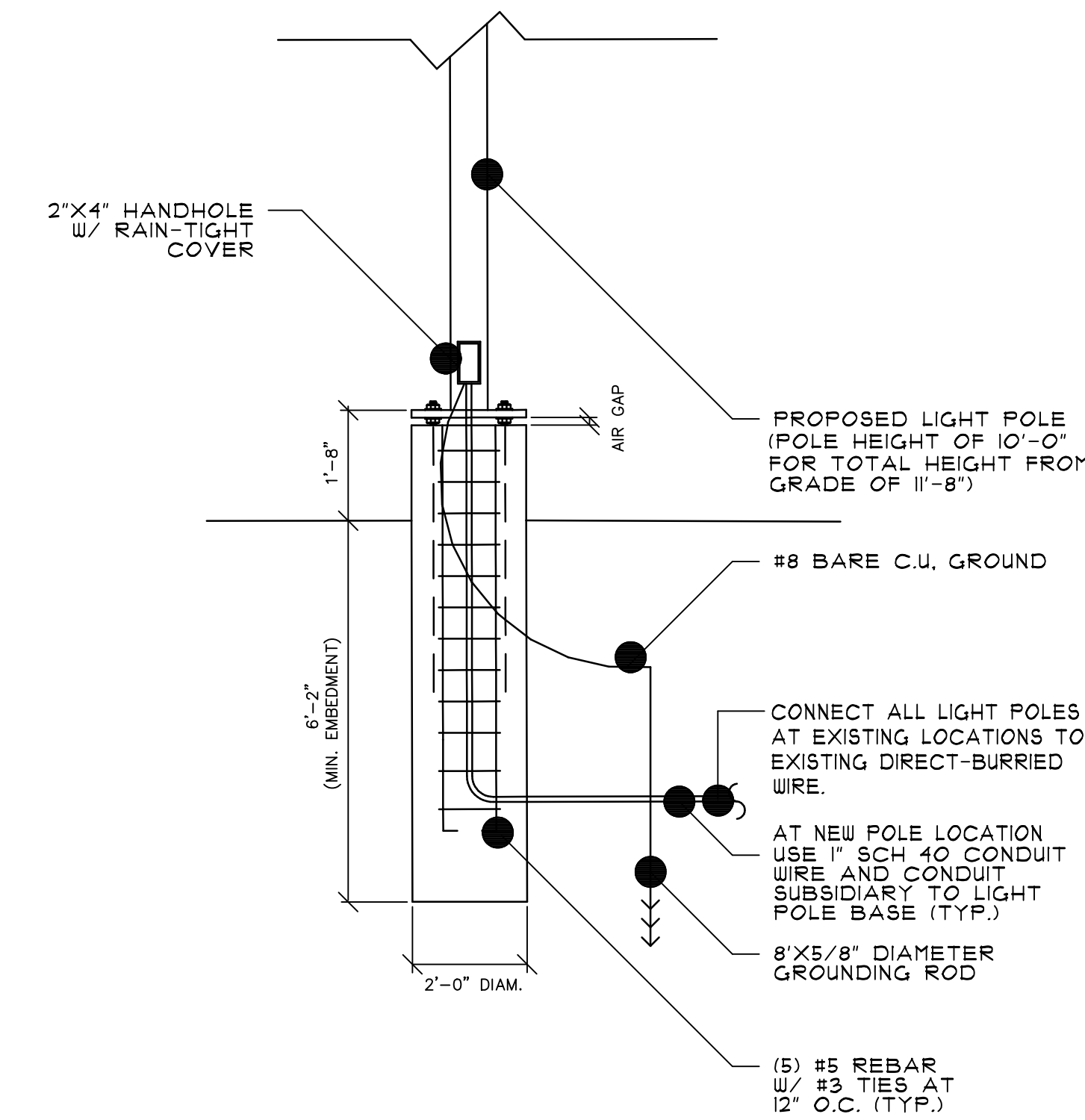
PROJECT #:
20-118

SCALE:
AS NOTED

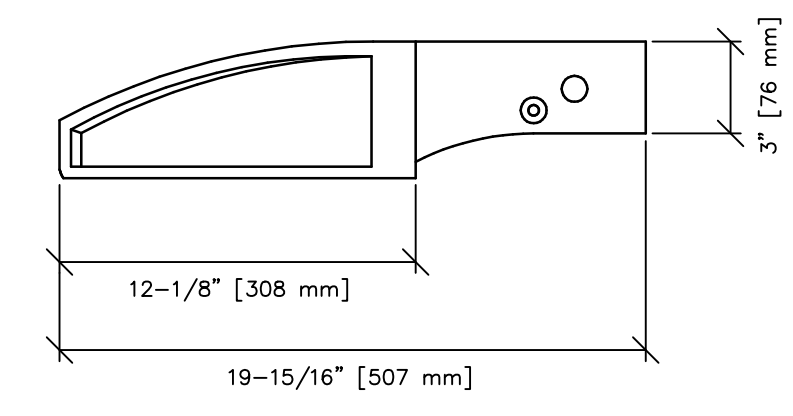
DATE:
06/11/2020

DRAWING NO.:

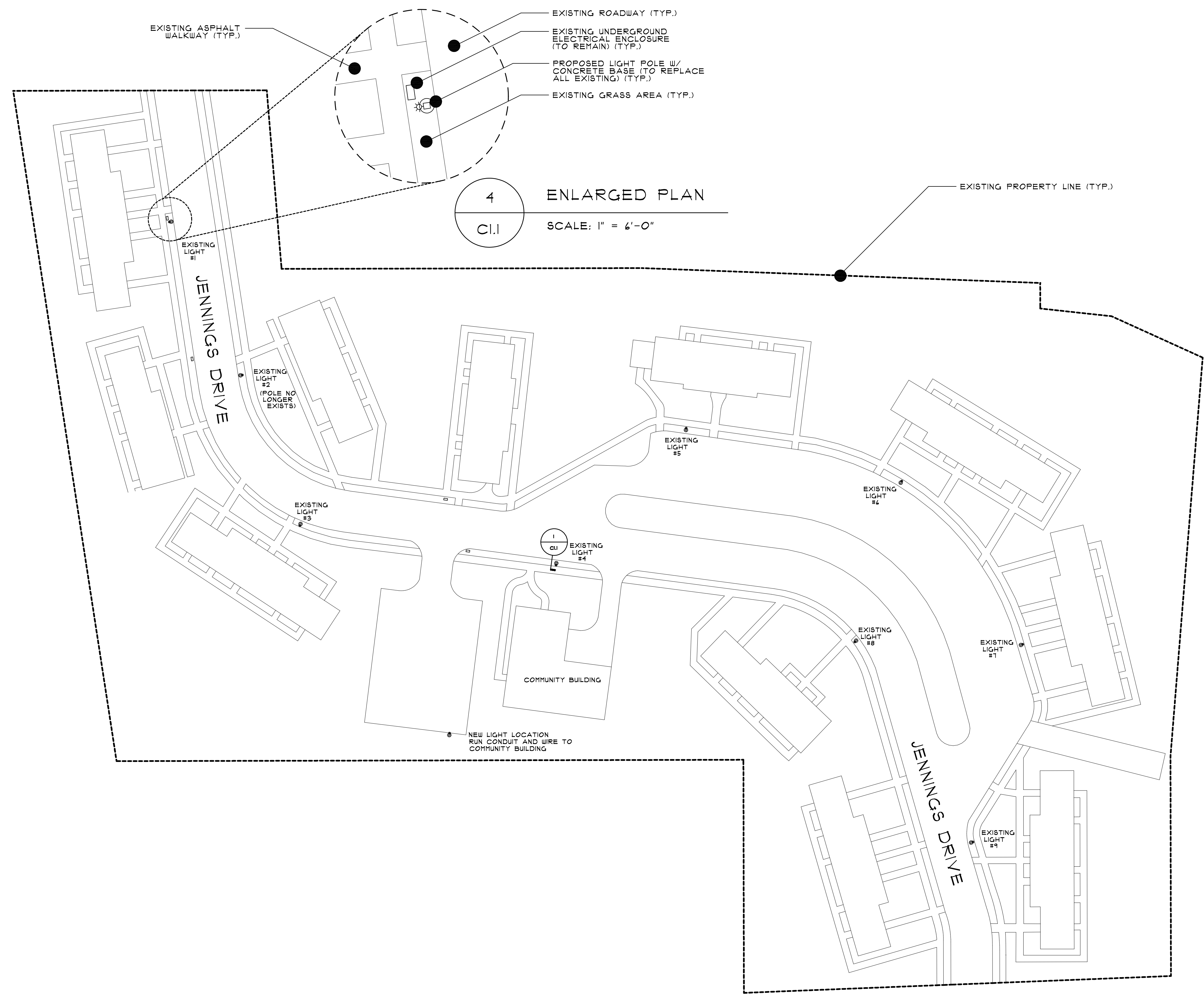
C1.1



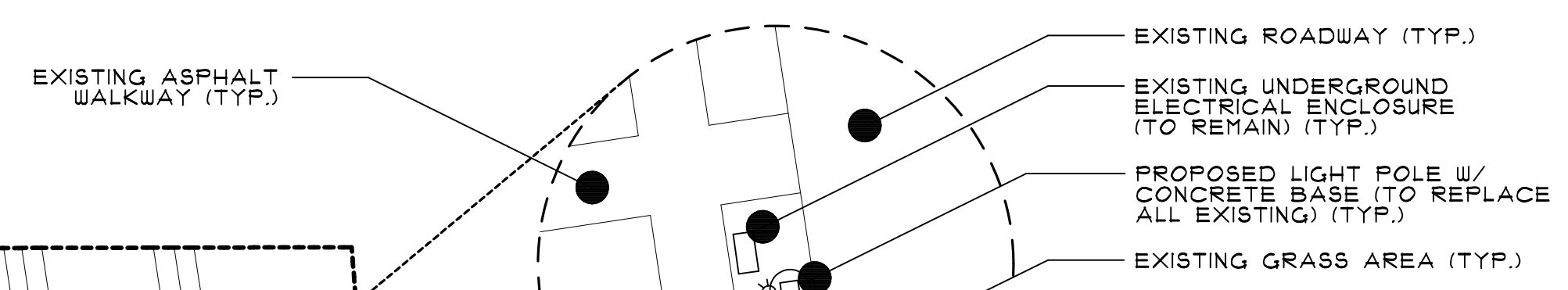
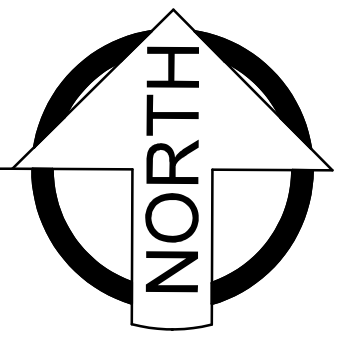
1
 C1.1
CONCRETE LIGHT POLE BASE DETAIL
 SCALE: NOT TO SCALE



2
 C1.1
GPC GALLEON PEDESTRIAN LUMINAIRE
 SCALE: NOT TO SCALE



3
 C1.1
HALLER APTS. SITE PLAN
 SCALE: 1" = 30'-0"



4
 C1.1
ENLARGED PLAN
 SCALE: 1" = 6'-0"

LUMINAIRE SCHEDULE

SYMBOL	QUANTITY	ARRANGEMENT	MODEL DESCRIPTION
☼	10	SINGLE HEAD ON SIDEWALK SIDE	GPC-AF-01-LED-E1-SL4-600-BZ