

- LEGEND**
- VERTICAL GRANITE CURB
  - EDGE OF PAVEMENT
  - SINGLE SOLID YELLOW LINE
  - STONE WALL
  - SEWER LINE & MANHOLE
  - WATER LINE
  - DRAIN LINE & MANHOLE
  - EXISTING GAS LINE & GATE VALVE
  - PROPOSED GAS LINE
  - PROPOSED GAS VALVES
  - OVERHEAD UTILITIES
  - UNDERGROUND UTILITIES
  - INTERMEDIATE CONTOURS (2FT)
  - INDEX CONTOURS (10FT)
  - CONCRETE SIDEWALK & PADS
  - HEAVY DUTY PAVEMENT
  - HYDRANT
  - CATCH BASIN
  - LIGHT POLE
  - TREES
  - TREELINE

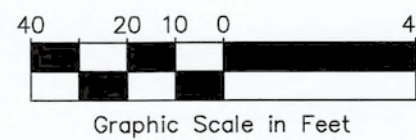


Copyright 2019 © Thomas F. Moran, Inc.  
 48 Constitution Drive, Bedford, N.H. 03110  
 All rights reserved. These plans and materials may not be copied, duplicated, replicated or otherwise reproduced in any form whatsoever without the prior written permission of Thomas F. Moran, Inc.  
 This plan is not effective unless signed by a duly authorized officer of Thomas F. Moran, Inc.



**GAS LINE PLAN**  
**REGULATOR BUILDING**  
**BLACK HILL ROAD, CONCORD, NH**  
 PREPARED FOR  
**LIBERTY UTILITIES**

SCALE: 1"=40' APRIL 1, 2019



REV.	DATE	REVISIONS PER LIBERTY UTILITIES	SRP	JK
REV.	DATE	DESCRIPTION	DR	CK
1	5/22/2019			

95486.09 DR SRP FB  
 CK JK CADFILE 95486-09 Site SHEET 2 OF 3

Civil Engineers  
 Structural Engineers  
 Traffic Engineers  
 Land Surveyors  
 Landscape Architects  
 Scientists

48 Constitution Drive  
 Bedford, NH 03110  
 Phone (603) 472-4488  
 Fax (603) 472-9747  
 www.tfmoran.com



# CONSTRUCTION SEQUENCE NOTES

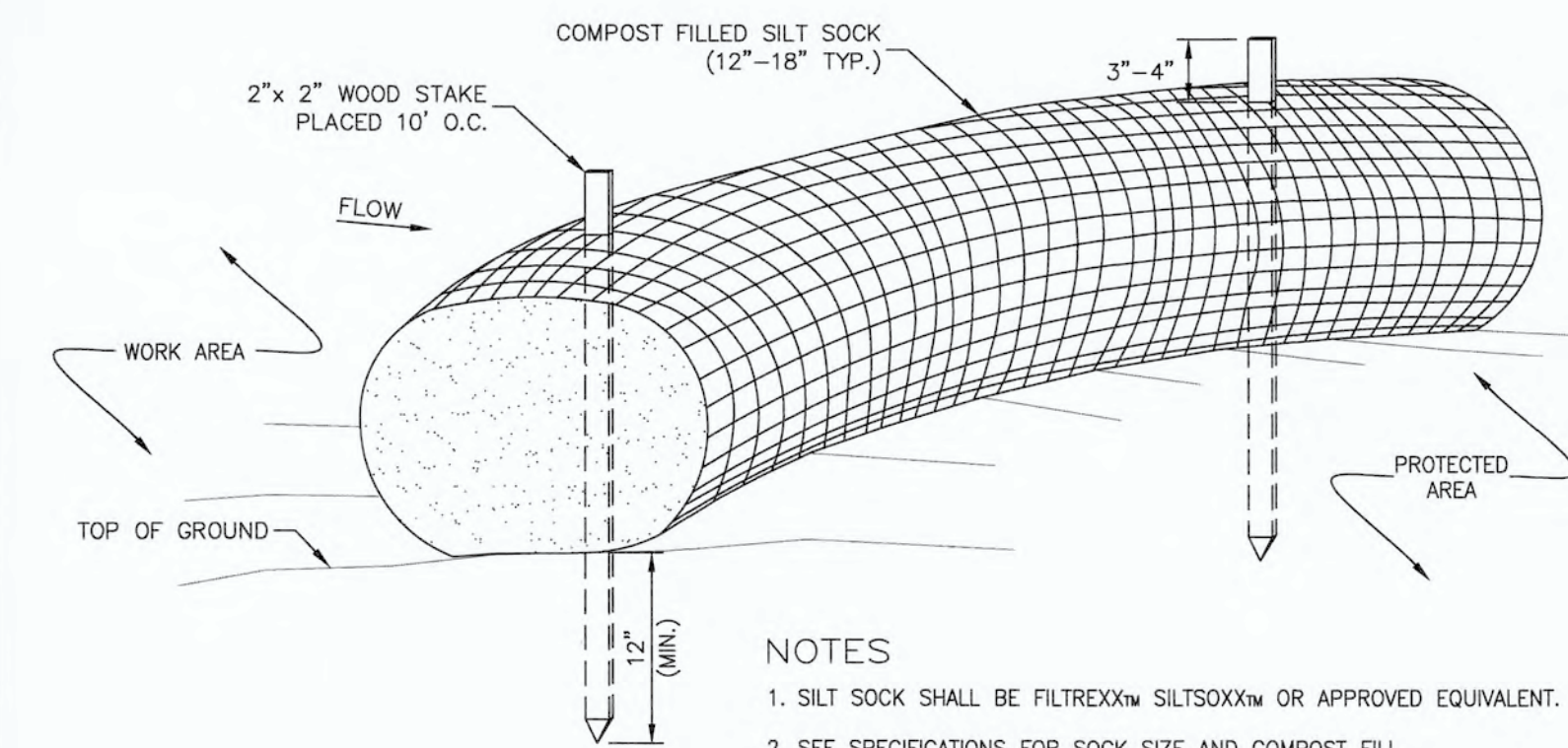
1. CONSTRUCT TEMPORARY AND PERMANENT EROSION CONTROL FACILITIES PRIOR TO ANY EARTH MOVING OPERATION.
2. CUT AND CLEAR TREES WITHIN AREA OF DISTURBANCE UNLESS OTHERWISE NOTED.
3. ROUGH GRADE WORK AREA. ALL SLOPES SHALL BE STABILIZED IMMEDIATELY AFTER GRADING. ALL DISTURBED AREAS SHALL BE STABILIZED NO LATER THAN 72 HOURS AFTER CONSTRUCTION ACTIVITY CEASES. IF EARTHWORK TEMPORARILY CEASES ON A PORTION OF OR THE ENTIRE SITE, AND WILL NOT RESUME WITHIN 21 DAYS, THE AREA SHALL BE STABILIZED.
4. AN AREA SHALL BE CONSIDERED STABILIZED IF:
  - A) BASE COURSE GRAVELS HAVE BEEN INSTALLED IN AREAS TO BE PAVED;
  - B) A MINIMUM OF 85% VEGETATED GROWTH HAS BEEN ESTABLISHED;
  - C) A MINIMUM OF 3" OF NON-EROSIVE MATERIAL SUCH AS STONE OR RIPRAP HAS BEEN INSTALLED, OR
  - D) EROSION CONTROL BLANKETS HAVE BEEN PROPERLY INSTALLED.
5. INSTALL DRAINAGE CATCH BASIN.
6. CONSTRUCT PARKING AND FINISH GRADE SITE ACCORDING TO PLAN. ALL SLOPES SHALL BE STABILIZED IMMEDIATELY AFTER GRADING.
7. INSPECT AND MAINTAIN ALL EROSION AND SEDIMENTATION CONTROL MEASURES PERIODICALLY AND IMMEDIATELY AFTER STORM EVENTS.
8. COMPLETE PERMANENT SEEDING AND LANDSCAPING.
9. REMOVE TEMPORARY EROSION CONTROL MEASURES ONCE ALL AREAS ARE STABILIZED WITH A SUITABLE STAND OF GRASS, PAVEMENT OR COMPACTED GRAVELS.

# GENERAL NOTES

1. ALL IN PAVEMENT MANHOLES SHALL HAVE RIMS SET TO FINISH GRADE REGARDLESS OF ANY ELEVATIONS OTHERWISE SHOWN.
2. WHERE DEPTH OF COVER IS LESS THAN 3 FEET CLASS V REINFORCED CONCRETE PIPE SHALL BE USED.
3. THE CONTRACTOR SHALL CONTACT ALL UTILITY COMPANIES OWNING UTILITIES, EITHER OVERHEAD OR UNDERGROUND, WITHIN THE CONSTRUCTION AREA AND SHALL COORDINATE AS NECESSARY WITH THE UTILITY COMPANIES OF SAID UTILITIES. THE PROTECTION OR RELOCATION OF UTILITIES IS ULTIMATELY THE RESPONSIBILITY OF THE CONTRACTOR.
4. THE CONTRACTOR SHALL MAINTAIN EMERGENCY ACCESS TO ALL AREAS AFFECTED BY HIS WORK AT ALL TIMES.
5. ALL EXCAVATIONS SHALL BE THOROUGHLY SECURED ON A DAILY BASIS BY THE CONTRACTOR AT THE COMPLETION OF CONSTRUCTION OPERATIONS IN THE IMMEDIATE AREA.
6. EROSION CONTROL SYSTEMS SHALL BE INSTALLED AND MAINTAINED FOR THE DURATION OF THE PROJECT IN ACCORDANCE WITH APPLICABLE NHDES STANDARDS. THESE DETAILS SERVE AS A GUIDE ONLY.
7. REFER TO THE TOWN STANDARD DETAILS, LATEST REVISION, FOR ADDITIONAL INFORMATION AND CRITERIA.
8. THE CONTRACTOR SHALL STABILIZE ALL DITCHES, SWALES, AND PONDS PRIOR TO DIRECTING FLOW TO THEM.
9. THE SMALLEST PRACTICAL AREA SHALL BE DISTURBED DURING CONSTRUCTION, BUT IN NO CASE SHALL EXCEED 5 ACRES AT ANY ONE TIME BEFORE DISTURBED AREAS ARE STABILIZED.

# STOCKPILE NOTES

1. LOCATE STOCKPILES A MINIMUM OF 50 FEET AWAY FROM CONCENTRATED FLOWS OF STORMWATER, DRAINAGE COURSES AND INLETS.
2. PROTECT ALL STOCKPILES FROM STORMWATER RUN-ON USING TEMPORARY PERIMETER MEASURES SUCH AS DIVERSIONS, BERMS, SANDBAGS OR OTHER APPROVED PRACTICES.
3. STOCKPILES SHOULD BE SURROUNDED BY SEDIMENT BARRIERS, SUCH AS SILT FENCE OR SILT SOCK, TO PREVENT MIGRATION OF MATERIAL BEYOND THE IMMEDIATE CONFINES OF THE STOCKPILES.
4. IMPLEMENT WIND EROSION CONTROL PRACTICES AS APPROPRIATE ON ALL STOCKPILED MATERIAL.
5. PLACE BAGGED MATERIALS ON PALLETS AND UNDER COVER.
6. INACTIVE STOCKPILES
  - a. INACTIVE SOIL STOCKPILES SHOULD BE COVERED WITH ANCHORED TARPS OR PROTECTED WITH SOIL STABILIZATION MEASURES (TEMPORARY SEED AND MULCH OR OTHER TEMPORARY PRACTICE) AND TEMPORARY PERIMETER SEDIMENT BARRIERS AT ALL TIMES.
  - b. INACTIVE STOCKPILES OF CONCRETE RUBBLE, ASPHALT CONCRETE RUBBLE, AGGREGATE MATERIALS AND OTHER SIMILAR MATERIALS SHOULD BE PROTECTED WITH TEMPORARY SEDIMENT PERIMETER BARRIERS AT ALL TIMES. IF THE MATERIALS ARE A SOURCE OF DUST, THEY SHOULD ALSO BE COVERED.
7. ACTIVE STOCKPILES
  - a. ALL STOCKPILES SHOULD BE SURROUNDED WITH TEMPORARY LINEAR SEDIMENT BARRIERS PRIOR TO THE ONSET OF PRECIPITATION. PERIMETER BARRIERS SHOULD BE MAINTAINED AT ALL TIMES, AND ADJUSTED AS NEEDED TO ACCOMMODATE THE DELIVERY AND REMOVAL OF MATERIALS FROM THE STOCKPILE. THE INTEGRITY OF THE BARRIER SHOULD BE INSPECTED AT THE END OF EACH WORKING DAY.
  - b. WHEN A STORM EVENT IS PREDICTED, STOCKPILES SHOULD BE PROTECTED WITH AN ANCHORED PROTECTIVE COVERING.



- NOTES**
1. SILT SOCK SHALL BE FILTERSOX SILT SOCK OR APPROVED EQUIVALENT.
  2. SEE SPECIFICATIONS FOR SOCK SIZE AND COMPOST FILL REQUIREMENTS.
  3. SILT SOCK SHALL BE INSPECTED PERIODICALLY AND AFTER ALL STORM EVENTS, AND REPAIR OR REPLACEMENT SHALL BE PERFORMED AS NEEDED.
  4. COMPOST MATERIAL SHALL BE DISPERSED ON SITE, AS DETERMINED BY THE ENGINEER.

# SILT SOCK



Copyright 2019 © Thomas F. Moran, Inc.  
48 Constitution Drive, Bedford, N.H. 03110  
All rights reserved. These plans and materials may not be copied, duplicated, replicated or otherwise reproduced in any form whatsoever without the prior written permission of Thomas F. Moran, Inc.  
This plan is not effective unless signed by a duly authorized officer of Thomas F. Moran, Inc.

# EROSION CONTROL NOTES

- DURING CONSTRUCTION AND THEREAFTER, EROSION CONTROL MEASURES ARE TO BE IMPLEMENTED AS NOTED:
1. INSTALLATION OF SILTATION SOCKS AND OTHER EROSION CONTROL MEASURES SHALL BE COMPLETED PRIOR TO THE START OF SITE WORK IN ANY GIVEN AREA. PREFABRICATED SILTATION FENCES SHALL BE INSTALLED ACCORDING TO THE MANUFACTURER'S RECOMMENDATIONS.
  2. SILTATION SOCKS AND OTHER EROSION CONTROL MEASURES SHALL BE KEPT CLEAN DURING CONSTRUCTION AND REMOVED WHEN ALL SLOPES HAVE A VEGETATIVE COVER OF GREATER THAN 85%. EROSION CONTROL MEASURES SHALL BE INSPECTED ON A WEEKLY BASIS AND AFTER EVERY RAINFALL.
  3. EXISTING VEGETATION IS TO REMAIN UNDISTURBED WHEREVER POSSIBLE.
  4. THE AREA OF LAND EXPOSED AND THE TIME OF EXPOSURE SHALL BE MINIMIZED. ALL DISTURBED AREAS SHALL BE STABILIZED WITHIN 72 HOURS AFTER FINAL GRADING.
  5. ALL DISTURBED AREAS SHALL HAVE A MINIMUM OF 4" OF LOAM. ACCEPTABLE SEED MIXES ARE AS FOLLOWS:

### TYPICAL LAWN MIX (MIN. 200 LBS/ACRE):

- 33% CREEPING RED FESCUE (MIN. 66 LBS/ACRE)
- 42% PERENNIAL RYEGRASS (MIN. 84 LBS/ACRE)
- 21% KENTUCKY BLUEGRASS (MIN. 42 LBS/ACRE)
- 4% REDTOP (MIN. 8 LBS/ACRE)

### TEMPORARY LAWN MIX (MIN. 47 LBS/ACRE):

100% ANNUAL RYE

### WILDFLOWER SLOPE (NH DOT TYPE 45) MIX 3:1 OR GREATER SLOPES (MIN. 160 LBS/ACRE):

- 38% CREEPING RED FESCUE (MIN. 60 LBS/ACRE)
- 32% PERENNIAL RYEGRASS (MIN. 51 LBS/ACRE)
- 5% REDTOP (MIN. 8 LBS/ACRE)
- 5% ALSIKE CLOVER (MIN. 8 LBS/ACRE)
- 5% BIRDFOOT TREFOIL (MIN. 8 LBS/ACRE)
- 3% LANCE-LEAF COREOPSIS (MIN. 3 LBS/ACRE)
- 3% OXEYE DASY (MIN. 3 LBS/ACRE)
- 3% BUTTERFLY WEED (MIN. 3 LBS/ACRE)
- 3% BLACKEYED SUSAN (MIN. 3 LBS/ACRE)
- 3% WILD LUPINE (MIN. 3 LBS/ACRE)

### GENERAL SLOPE (NH DOT TYPE 44) MIX 3:1 OR GREATER SLOPES (MIN. 160 LBS/ACRE):

- 44% CREEPING RED FESCUE (MIN. 70 LBS/ACRE)
- 38% PERENNIAL RYEGRASS (MIN. 60 LBS/ACRE)
- 6% REDTOP (MIN. 10 LBS/ACRE)
- 6% ALSIKE CLOVER (MIN. 10 LBS/ACRE)
- 6% BIRDFOOT TREFOIL (MIN. 10 LBS/ACRE)

- A. PLACING LOAM ON SITE
  - a. ALL SUBGRADE ELEVATIONS SHOULD BE UNIFORMLY GRADED TO RECEIVE LOAM AND SHALL BE INSPECTED AND APPROVED BY THE GENERAL CONTRACTOR PRIOR TO PLACEMENT OF LOAM.
  - a. PLACE LOAM TO FORM A MINIMUM DEPTH OF 4" WHEN ROLLED, UNLESS OTHERWISE INDICATED.
  - b. ALL DEPRESSIONS EXPOSED DURING THE ROLLING SHALL BE FILLED WITH ADDITIONAL LOAM.
- B. SEED BED PREPARATION
  - a. AFTER FINISH GRADING AND JUST BEFORE SEEDING, THE AREAS TO BE SEEDDED SHALL BE LOOSENEED TO PROVIDE A ROUGH, FIRM BUT FINELY PULVERIZED SEEDBED THAT IS A TEXTURE CAPABLE OF RETAINING WATER, SEED AND FERTILIZER WHILE REMAINING STABLE AND ALLOWING SEED TIME TO GERMINATE. SEED SHALL BE APPLIED TO THE CONDITIONED SEEDBED NOT MORE THAN 48 HOURS AFTER THE SEEDBED HAS BEEN PREPARED.
6. LIME AND FERTILIZER SHALL BE INCORPORATED INTO THE SOIL PRIOR TO OR AT THE TIME OF AT THE TIME OF SEEDING. A MINIMUM OF 2 TONS PER ACRE OF AGRICULTURAL LIMESTONE AND 500 LBS. PER ACRE OF 10-20-20 FERTILIZER SHALL BE APPLIED. SEEDING PRACTICES SHALL COMPLY WITH LOCAL USDA SOIL CONSERVATION SERVICES RECOMMENDATIONS.
7. HAY MULCH OR JUTE MATTING SHALL BE USED WHERE INDICATED ON THE PLANS. A MINIMUM OF 1.5 TONS OF MULCH PER ACRE SHALL BE APPLIED. MULCH SHALL BE ANCHORED IN PLACE WHERE NECESSARY. JUTE MATTING SHALL BE LAID IN THE DIRECTION OF RUNOFF FLOW AND APPLIED IN ACCORDANCE WITH MANUFACTURER'S INSTRUCTIONS.
8. PERMANENT OR TEMPORARY COVER MUST BE IN PLACE BEFORE THE GROWING SEASON ENDS. WHEN SEEDING AREAS ARE MULCHED, PLANTINGS MAY BE MADE FROM EARLY SPRING TO EARLY OCTOBER. WHEN SEEDING AREAS ARE NOT MULCHED, PLANTINGS SHOULD BE MADE FROM EARLY SPRING TO MAY 20 OR FROM AUGUST 15 TO SEPTEMBER 15. NO DISTURBED AREA SHALL BE LEFT EXPOSED DURING WINTER MONTHS.
9. WATER SHALL BE USED FOR DUST CONTROL IN APPROPRIATE AREAS.

# LANDSCAPE NOTES

### SITE AND SOIL PREPARATION

1. WHEN CONDITIONS DETRIMENTAL TO PLANT GROWTH ARE ENCOUNTERED, SUCH AS RUBBLE FILL, ADVERSE DRAINAGE CONDITIONS, OR LEDGE, NOTIFY LANDSCAPE ARCHITECT/ENGINEER BEFORE PLANTING.
2. ALL DISTURBED AREAS & PLANTING AREAS, INCLUDING AREAS TO BE SODDED, SHALL RECEIVE THE FOLLOWING SOIL PREPARATION PRIOR TO PLANTING: A MINIMUM OF 6 INCHES OF LIGHTLY COMPACTED TOPSOIL SHALL BE INSTALLED OVER THE SUBSOIL IF TOPSOIL HAS BEEN REMOVED OR IS NOT PRESENT.
3. LOAM SHALL CONSIST OF LOOSE FRIABLE TOPSOIL WITH NO ADMIXTURE OF REFUSE OR MATERIAL TOXIC TO PLANT GROWTH. LOAM SHALL BE FREE FROM STONES, LUMPS, STUMPS, OR SIMILAR OBJECTS LARGER THAN TWO INCHES (2") IN GREATEST DIAMETER, SUBSOIL, ROOTS, AND WEEDS. THE MINIMUM AND MAXIMUM PH VALUE SHALL BE FROM 5.5 TO 7.0. LOAM SHALL CONTAIN A MINIMUM OF TWO PERCENT (2%) AND A MAXIMUM OF FIVE PERCENT (5%) ORGANIC MATTER AS DETERMINED BY LOSS BY IGNITION. SOIL TEXTURE SHALL BE SANDY CLAY LOAM OR SANDY LOAM WITH CLAY CONTENT BETWEEN 15 AND 25%, AND A COMBINED CLAY/SILT CONTENT OF NO MORE THAN 55%. NOT MORE THAN SIXTY-FIVE PERCENT (65%) SHALL PASS A NO. 200 SIEVE AS DETERMINED BY THE WASH TEST IN ACCORDANCE WITH ASTM D1140. IN NO INSTANCE SHALL MORE THAN 20% OF THAT MATERIAL PASSING THE #4 SIEVE CONSIST OF CLAY SIZE PARTICLES.
4. NATURAL TOPSOIL NOT CONFORMING TO THE PARAGRAPH ABOVE OR CONTAINING EXCESSIVE AMOUNTS OF CLAY OR SAND SHALL BE TREATED BY THE CONTRACTOR TO MEET THOSE REQUIREMENTS.
5. SUBMIT TEST RESULTS OBTAINED FROM SOURCE TO ENGINEER/LANDSCAPE ARCHITECT FOR REVIEW AND APPROVAL, PRIOR TO SPREADING OPERATIONS.
6. APPROVAL BY THE ENGINEER/LANDSCAPE ARCHITECT TO USE THE TOPSOIL WILL DEPEND UPON THE RESULTS OF THE SOIL TESTS.
7. THE BURDEN OF PROOF OF SOIL AMENDMENT INSTALLATION RESTS WITH THE CONTRACTOR. SOIL TESTS MAY BE REQUIRED AT THE CONTRACTOR'S EXPENSE IN ORDER TO CONFIRM AMENDMENT INSTALLATION.

### SEEDING

1. ROUGH GRADING SHALL BE COMPLETED PRIOR TO THE START OF PLANTING IN ANY GIVEN AREA OF THE PROJECT SITE.
2. SEEDING SHALL BE DONE BETWEEN APRIL 1 TO JUNE 15 OR AUGUST 15 TO OCTOBER 15, EXCEPT FOR RESEEDING OF BARE SPOTS AND MAINTENANCE. ALL DISTURBED AREAS NOT COVERED BY BUILDINGS, PAVING OR AREAS THAT HAVE NOT BEEN OTHERWISE DEVELOPED SHALL BE SEEDING OR SODDED. SLOPES GREATER THAN 3:1 SHALL BE PROTECTED WITH AN EROSION CONTROL BLANKET. AFTER OCTOBER 15 DISTURBED SOILS SHALL BE PROTECTED IN ACCORDANCE WITH THE WINTER CONSTRUCTION NOTES.

### ACCEPTABLE SEED MIXES ARE AS FOLLOWS:

#### PARK SEED MIX (NH DOT TYPE 44) MIN. 135 LBS/ACRE:

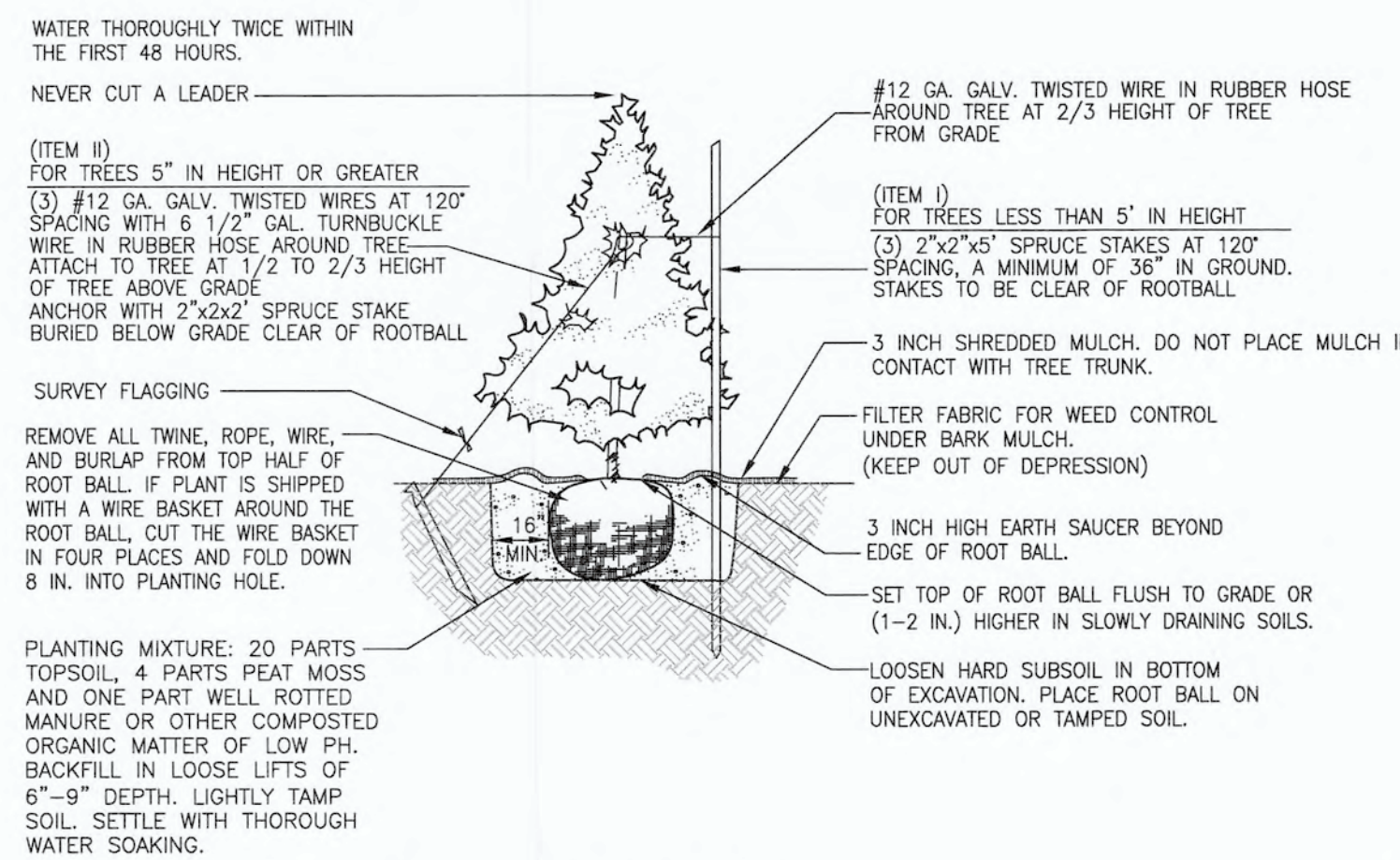
- 33% CREEPING RED FESCUE (MIN. 45 LBS/ACRE)
- 42% PERENNIAL RYEGRASS (MIN. 55 LBS/ACRE)
- 21% KENTUCKY BLUEGRASS (MIN. 30 LBS/ACRE)
- 4% REDTOP (MIN. 5 LBS/ACRE)

#### TEMPORARY LAWN MIX (MIN. 47 LBS/ACRE):

100% ANNUAL RYE

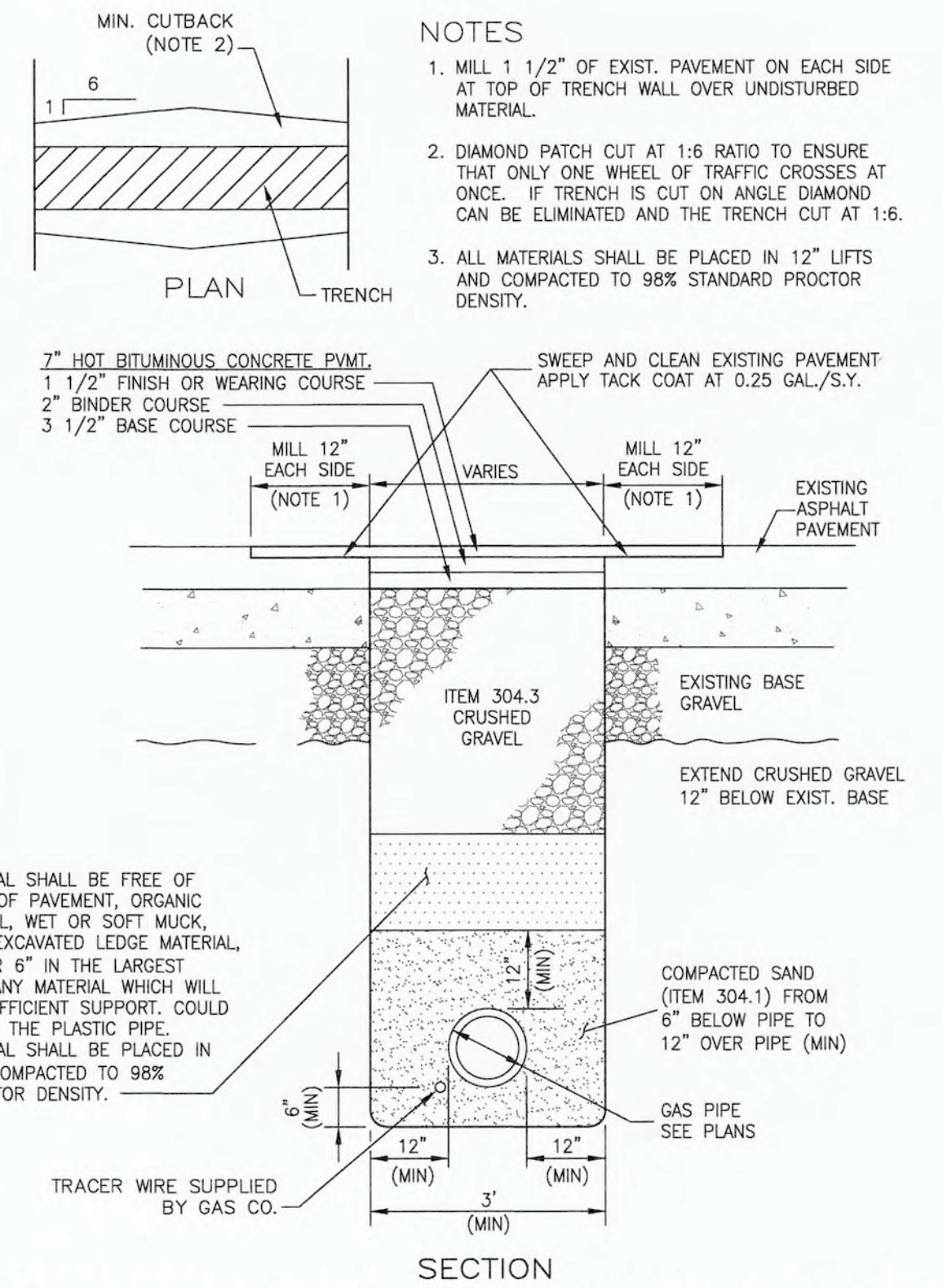
### PLANTING

1. EXCAVATE PITS, PLANTERS, BEDS AND TRENCHES WITH VERTICAL SIDES AND WITH BOTTOM OF EXCAVATION SLIGHTLY RAISED AT CENTER TO PROVIDE PROPER DRAINAGE. LOOSEN HARD SUBSOIL IN BOTTOM OF EXCAVATION.
2. ANY LEDGE OR RUBBLE MATERIAL SHALL BE FRACTURED TO A DEPTH OF 3 FEET AND EXCAVATED TO A DEPTH OF 30 INCHES FOR TREE POCKETS AND 18 INCHES FOR SHRUB BEDS. THIS PROCEDURE SHALL BE HANDLED BY THE SITE CONTRACTOR. SITE TOPSOIL SHALL BE DEPOSITED IN ALL EXCAVATED POCKETS.
3. DISPOSE OF SUBSOIL REMOVED FROM PLANTING EXCAVATIONS. DO NOT MIX WITH PLANTING SOIL OR USE AS BACKFILL.
4. FILL EXCAVATIONS FOR TREES AND SHRUBS WITH WATER AND ALLOW TO PERCOLATE OUT BEFORE PLANTING.
5. DISH TOP OF BACKFILL TO ALLOW FOR MULCH - PLANT SAUCERS SHALL BE AS SHOWN ON DETAIL SHEETS; 6" DIAMETER FOR ALL DECIDUOUS TREES, AND FOR EVERGREEN TREES A RADIUS 2" BEYOND THE OUTER MOST BRANCHES.
6. MULCH TREES, SHRUBS, PLANTERS AND BEDS. PROVIDE NOT LESS THAN 3" THICKNESS OF BARK MULCH, 3/8"-2" OF WIDTH, AND WORK INTO TOP OF BACKFILL. FINISH LEVEL WITH ADJACENT FINISH GRADES AS DIRECTED IN THE FIELD.
7. STAKE AND GUY TREES IMMEDIATELY AFTER PLANTING (TREE SUPPORT STAKES SHALL BE 2" X 3" X 8', WOOD STAKES. GUYING WIRE SHALL BE NO. 12 GAUGE GALVANIZED SOFT STEEL WIRE. HOSE FOR COVERING WIRE SHALL BE NEW OR USED TWO PLY RUBBER HOSE NOT LESS THAN 1/2 INCH INSIDE DIAMETER. (PLASTIC "CINCH-TIES" OR EQUIVALENT FASTENING DEVICE MAY BE AN ACCEPTABLE GUY WIRE AND HOSE PROTECTOR SUBSTITUTE).
8. TREEGATOR WATERING SYSTEM OR APPROVED EQUAL SHALL BE INSTALLED FOR ALL DECIDUOUS TREES AT TIME OF PLANTING AND REMOVED BEFORE FROST. WATERING RATE TO BE APPLIED PER MANUFACTURER'S SPECIFICATIONS.
9. ALL PLANT MATERIALS SHALL HAVE DEAD OR DAMAGED BRANCHES REMOVED AT TIME OF PLANTING. ALL TAGS AND RIBBONS SHALL BE REMOVED AT THIS TIME.
10. TREES TO REMAIN STAKED FOR 1 FULL GROWING SEASON.
11. THE CONTRACTOR SHALL REQUEST A FINAL OBSERVATION BY THE OWNER'S REPRESENTATIVE UPON COMPLETION OF INSTALLATION.



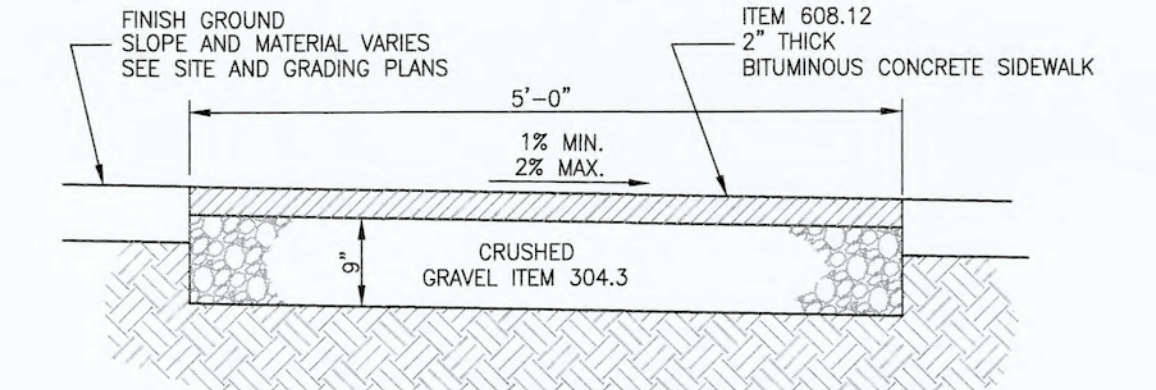
# EVERGREEN PLANTING

NOT TO SCALE



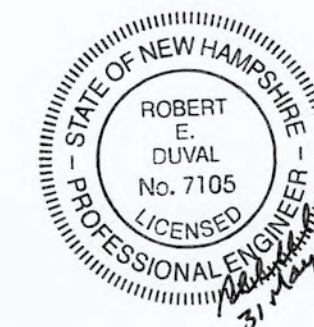
# TRENCH & PAVEMENT PATCH DETAIL

NOT TO SCALE



# BITUMINOUS SIDEWALK

NOT TO SCALE



**DETAIL SHEET**  
**REGULATOR BUILDING**  
**BLACK HILL ROAD, CONCORD, NH**  
PREPARED FOR  
**LIBERTY UTILITIES**

SCALE: AS SHOWN

MARCH 27, 2019

REV	DATE	DESCRIPTION	SRP	JK
1	5/22/2019	REVISIONS PER LIBERTY UTILITIES	SRP	JK
			DR	CK

**TFM** Civil Engineers  
Structural Engineers  
Traffic Engineers  
Land Surveyors  
Landscape Architects  
Scientists

48 Constitution Drive  
Bedford, NH 03110  
Phone (603) 472-4488  
Fax (603) 472-9747  
www.tfmoran.com

95486.09 DR SRP FB  
OK JK CADFILE 95486-09 Site

SHEET 3 OF 3